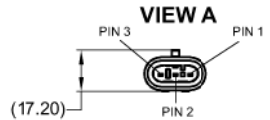
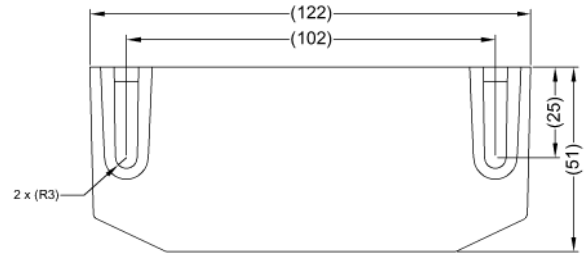


Revision Notes:				
R1 -				
APA: -	Drawn:-	Checked:-	Approved:-	Date: -



3 PIN SUPERSEAL MALE MATING FACE

PIN #	WIRE COLOUR	DESCRIPTION
1	RED	MESSAGE
2	WHITE	MUTE
3	BLACK	GROUND

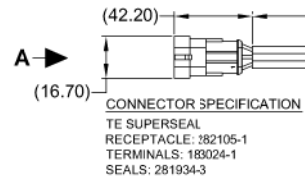
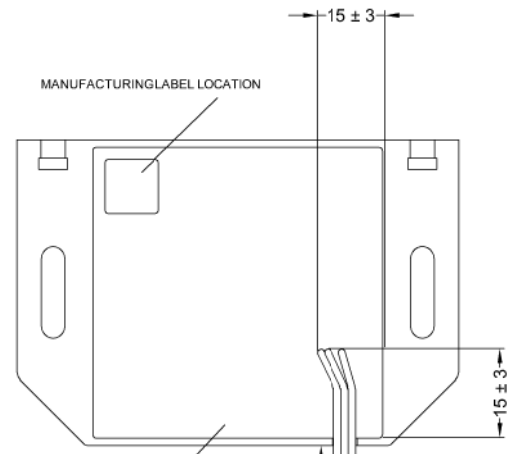
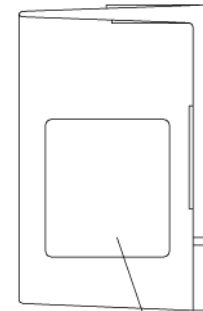
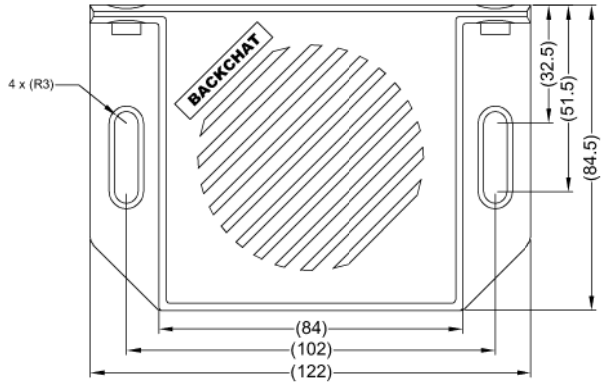
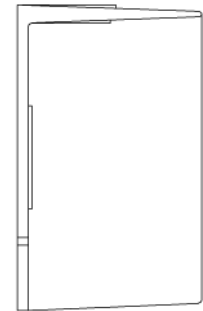


SPECIFICATION

1. RATED VOLTAGE: 12 AND 24 VOLTS DIRECT CURRENT (WORKING VOLTAGE RANGE 10 THRU 30 VOLTS)
2. RATED CURRENT: 0.5 AMPERES OR LESS
3. SOUND PRESSURE: 93dB DECIBELS AT TEST VOLTAGE OF 14 AND 28 VOLTS
4. CABLE THICKNESS: ALL CABLES 24/0.2MM
5. MESSAGE(S): PLEASE REFER TO PRODUCT LABEL FOR MESSAGE CODE
6. MUTE FUNCTION: NEGATIVE TRIGGER. NB: THIS MEANS MESSAGE IS ACTIVATED WHEN MUTE WIRE IS DISCONNECTED.

CHANGES FROM BASE PRODUCT BC-01(4W)(H/BRA(E))12-24v (1715A) TO BC-01 TLWD (B) (5299A)

1. BESPOKE MESSAGE REF MESSAGE CODE
2. PRODUCT LABEL REPLACED WITH BC-01 TLWD (B) PD-LBL - SEE NOTE 3.
3. SUPERSEAL CONNECTOR ADDED - SEE CONNECTOR SPECIFICATION
4. POSITIVE MUTE CABLE REMOVED



NOTES:

1. MATERIAL: ABS PLASTIC - ULTRA VIOLET STABILIZED
2. FINISH: BLACK
3. FOR PRODUCT LABEL DETAIL REFER TO BE-003631-XX-17
4. FOR MANUFACTURING LABEL DETAIL REFER TO BE-001990-01-12.
5. 2 X M6 X25 BOLTS, 2 X M6 FLAT WASHER & 2 X M6 NUTS ARE SUPPLIED IN A PRESS SEAL BAG IN THE BOX.
6. POWER & MESSAGE CABLE LENGTHS ARE MEASURED FROM CABLE ENTRY POINT ON HOUSING.

PROPRIETARY NOTICE

THIS DESIGN AND TECHNICAL INFORMATION APPEARING ON THIS DRAWING IS THE PROPERTY OF BRIGADE ELECTRONICS, AND IS DISCLOSED IN CONFIDENCE. IT IS NOT TO BE COPIED, REPRODUCED, REVEALED TO OR EXPROPRIATED BY OTHERS, EITHER IN WHOLE OR IN PART WITHOUT THE EXPRESS WRITTEN CONSENT OF BRIGADE ELECTRONICS.



Assembly PI Approval A.HEDDLE	Approved by B.JOHN	Checked by J.TYRELL	Released 16/09/19	Drawn by J.STEWART
Angle of Projection 	Units mm	Scale N/A	Assembly Ref N/A	Status RELEASED
Third Angle	Part No 5299A	BC-01 TLWD (B) BE-004185-00-19		